

# Pressure Switch

## P-02 Series

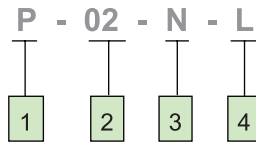


### Features and Handling

- P-02 is a spring loaded piston type pressure switch. The pressure of hydraulic oil acts on the piston in the pressure switch. The piston acts against the infinitely adjustable force of the spring which transfers the movement of the piston to the switch to open or close the electrical contact.
- Knob Set Screw is available for panel mounting.
- For installation, the pressure switch should be mounted in such a way as to prevent them being subject to vibration.



### Ordering Code



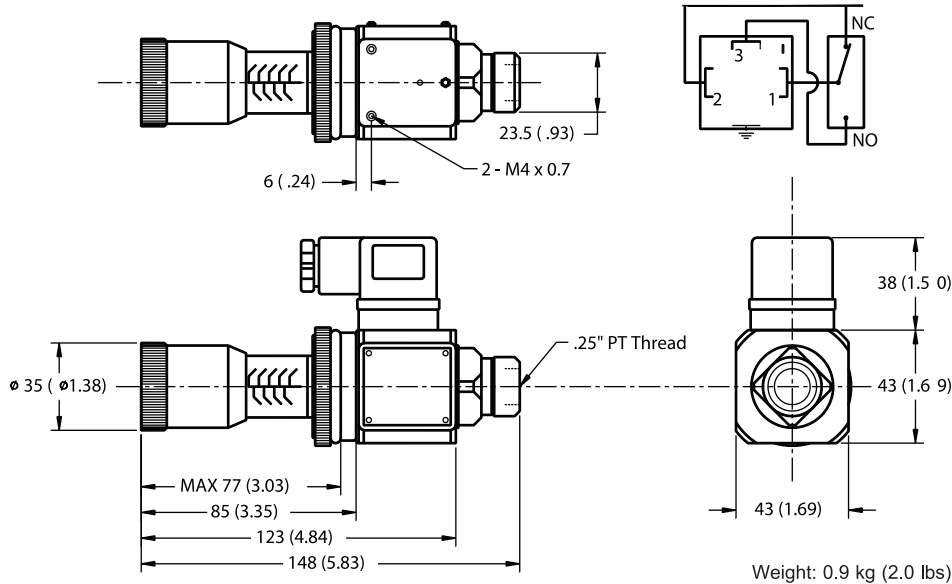
**1** Model  
Pressure Switch

**2** Valve size  
02 - 1/4"

**3** Port Connection (Threaded connection only)  
P - 1/4" BSPT  
N - 1/4" NPT

**4** Pressure Adjusting Range  
H - 10-400 bar (140-5800 psi)  
L - 1-70 bar (14-1000 psi)

### Specification and Installation Dimensions mm (inch)



Model	Valve Size	Pressure Range bar (psi)	Electrical Rating	Usage
P-02 (L)	1/4"	1 - 70 (14 - 1000)	DC 24V AC 110-250V/3A	Hydraulic Oil,
P-02 (H)	1/4"	10 - 400 (140 - 5800)	DC 24V AC 110-250V/3A	Hydraulic Oil