

HGP-2A

- ▶ Displacement : 2~12 cc/rev
- ▶ Max. Pressure : 250 kgf/cm²
(3500psi)
- ▶ Flange : JIS 4-bolt

ORDER CODES

HGP-2A - **F** - **12** - **R** - **X** - **4BJ**

1

2

3

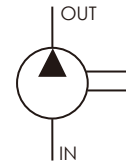
4

5

6

1 Model Name	HGP-2A	
2 Mounting	F	flange type
	L	foot type
3 Delivery Capacity	2, 2.5, 3, 4, 5, 6, 8, 9, 11, 12	
4 Rotation Direction	R	clockwise
	L	counter - clockwise
5 Shaft Type	W	tang shaft
	X	straight shaft
	Y	spline shaft
	Z	taper shaft
6 Flange Mounting Type	4BJ	JIS 4-bolt

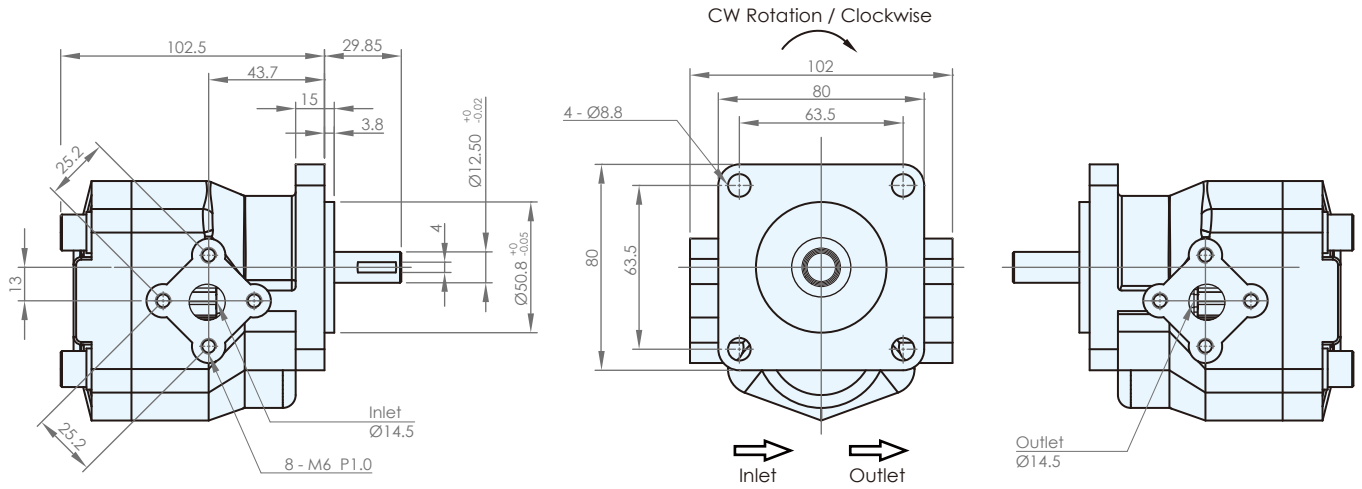
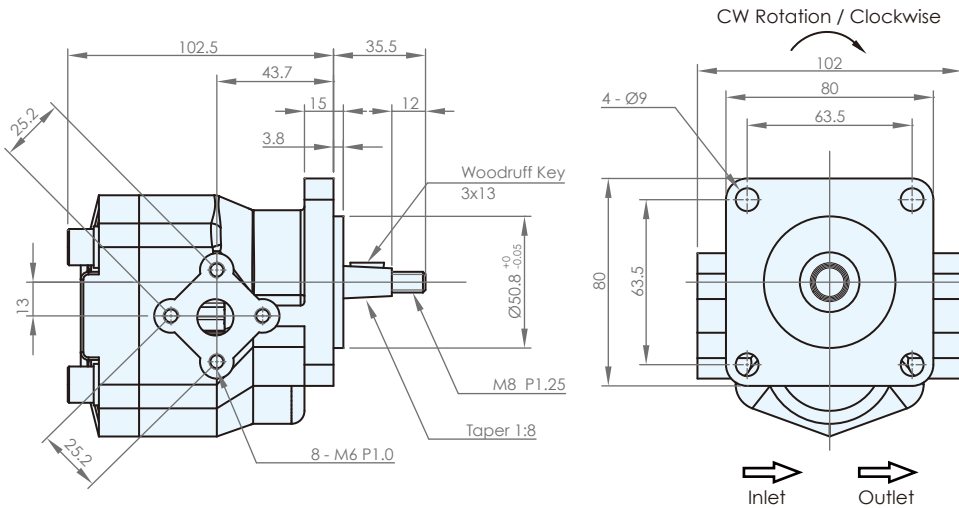
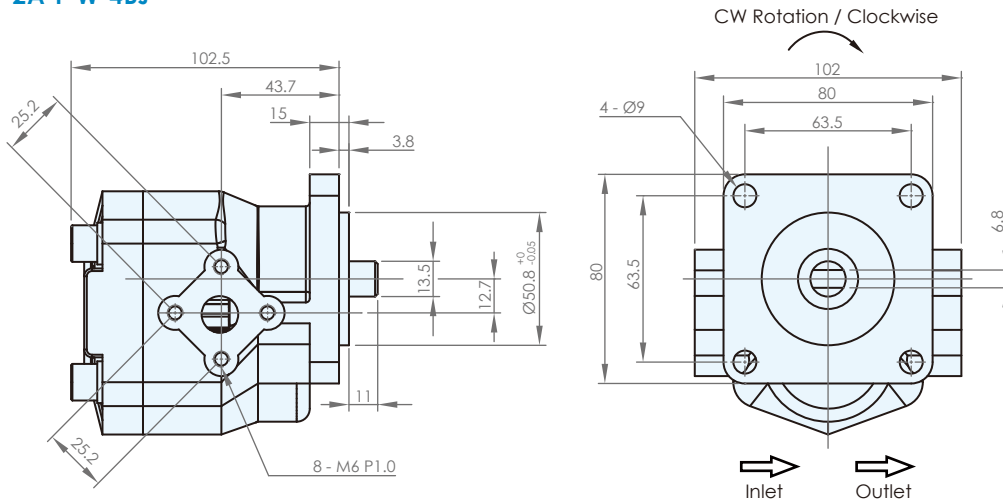
SCHEMATIC SYMBOL



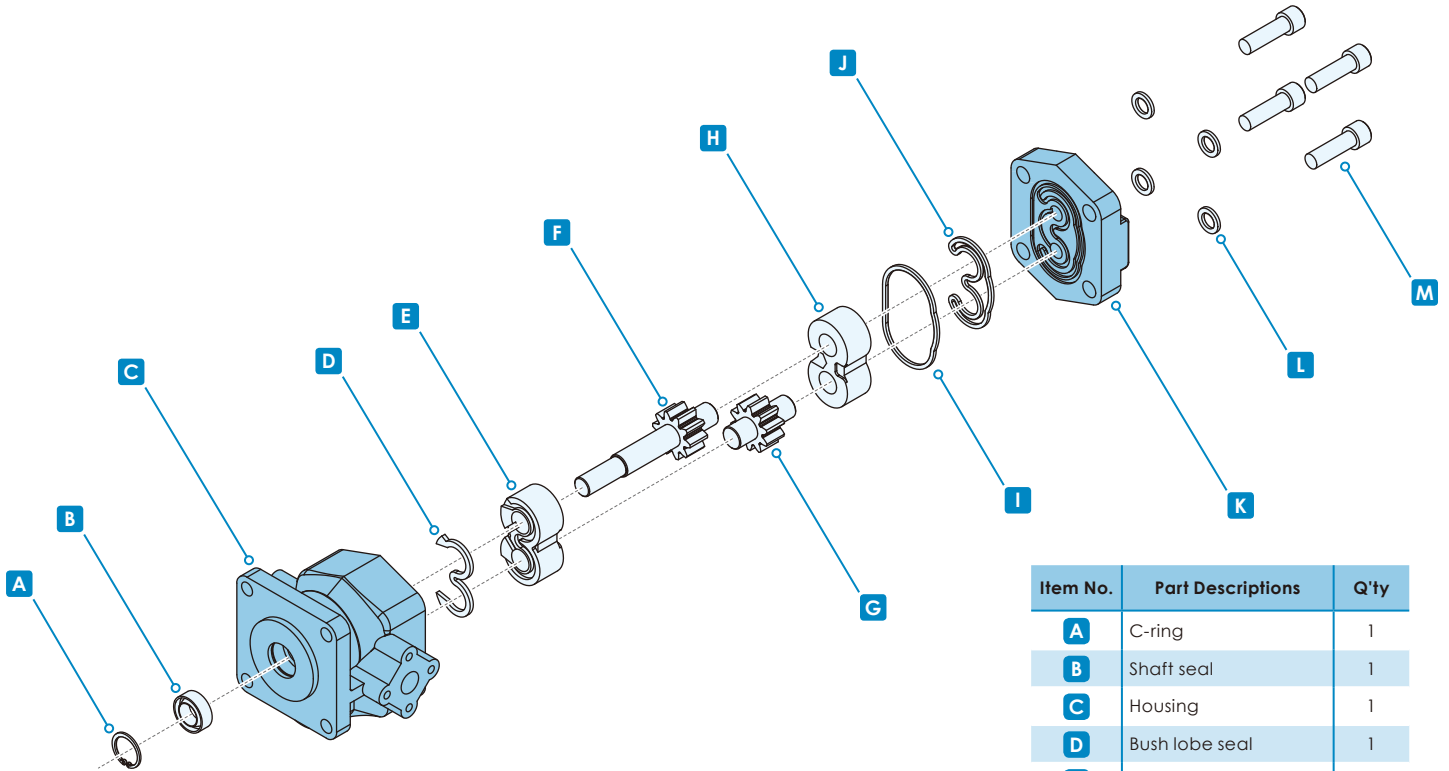
SPECIFICATIONS

Model	Accurate Displacement Capacity (cc/rev)	Operational Pressure (kgf/cm ²)	Max. Pressure (kgf/cm ²)	Speed (r.p.m.)			Weight (kg)
				Rate	Max.	Min.	
HGP-2A-2	2	210	250	1800	5000	1000	1.69
HGP-2A-2.5	2.5	210	250	1800	5000	850	1.70
HGP-2A-3	3	210	250	1800	5000	850	1.70
HGP-2A-4	4	210	250	1800	4500	800	1.71
HGP-2A-5	5	210	250	1800	3500	700	1.71
HGP-2A-6	6	210	250	1800	3500	700	1.72
HGP-2A-8	7.5	210	250	1800	3000	600	1.74
HGP-2A-9	9	210	250	1800	2500	550	1.74
HGP-2A-11	10.5	210	250	1800	2000	500	1.74
HGP-2A-12	12	175	210	1800	2000	500	1.76

* HGP-2A-2.5 and HGP-2A-5 do not belong to regular products. Customized service can be provided.

DIMENSIONS (unit : mm)
HGP-2A-F-X-4BJ

HGP-2A-F-Z-4BJ

HGP-2A-F-W-4BJ


DECOMPOSITION CHARTS



Item No.	Part Descriptions	Q'ty
A	C-ring	1
B	Shaft seal	1
C	Housing	1
D	Bush lobe seal	1
E	Matching bearing	1
F	Drive gear	1
G	Drive gear	1
H	Matching bearing	1
I	O-ring	1
J	Back-up ring	1
K	Rear cover	1
L	Bolt washer	4
M	Bolt	4