

- > **Port size:**
1/8 ... 1/2" (ISO G)
- > **Predefined options**
provide ease of ordering
- > **Flexible configurations**
- > **Integrated gauge**
reduces mounting time
- > **Push to lock adjusting knob**



Technical features

Medium:

Compressed air,
filtered to better than 40 µm

Maximum operating pressure:

10 bar (145 psi)

Pressure range:

0,5 ... 8,5 bar (7,25 ... 123 psi)

Flow:

51,7 l/s max., at port size 1/2",
10 bar inlet pressure, pressure set
at 6,3 bar and 1 bar pressure drop
from set.

Filter element:

5 µm

Port size:

G1/8, G1/4, G3/8, G1/2

Bowl capacity:

G1/8 & G1/4: 12 ml
(Filter/Regulator), 20 ml (Lubricator)
G3/8 & G1/2: 45 ml
(Filter/Regulator), 85 ml (Lubricator)

B-unit drain:

Manual, Semi automatic,
Automatic

Start point*:

1/8" & 1/4": 0,25 l/s
3/8", 1/2": 0,5 l/s

*1) Minimum flow rate for lubricator
operation at 5 bar

Lubricator drain:

Closed bottom

Ambient/Media temperature:

0 ... +60°C (+32 ... +140°F)

Air supply must be dry enough to
avoid ice formation at temperatures
below +2°C (+35°F).

Materials:

G1/8 & G1/4 Body:
Polyamide
G3/8 & G1/2 Body:
Die casting Aluminum
Bowl: Transparent PC
Bowl cover: Polyamide
Bonnet: Polyamide
Elastomers: Nitrile
Main valve: Brass

Technical data - standard models

Symbol	Port size	Flow Rate (l/s)	Weight (kg)	Model		
				Automatic	Semi automatic	Manual
	G1/8	10	0,33	-	BL49-14BG	BL49-13BG
	G1/4	15	0,32	-	BL49-24BG	BL49-23BG
	G3/8	25	1,05	BL49-31BG	BL49-34BG	BL49-33BG
	G1/2	50	1,03	BL49-41BG	BL49-44BG	BL49-43BG

Option selector

BL49-★ ★ ★ G

Port size	Substitute
1/8"	1
1/4"	2
3/8"	3
1/2"	4

Accessories	Substitute
Brackets	B
Unit Type	Substitute
Automatic drain *1)	1
Manual drain	3
Semi automatic drain	4

*1) For G3/8 & G1/2 only
Disclaimer: Outlet pressure can be adjusted
in excess of and less than those specified.
Do not use these units to control pressures
outside of the specified ranges.

Accessories

T Bracket

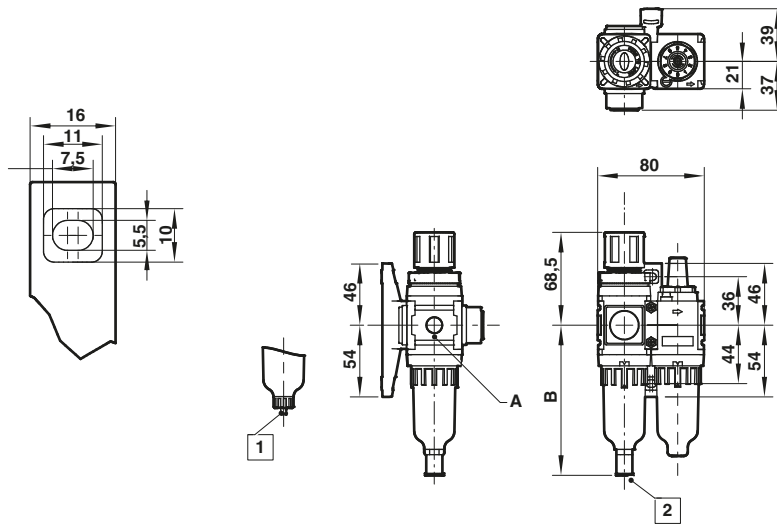


Gauge

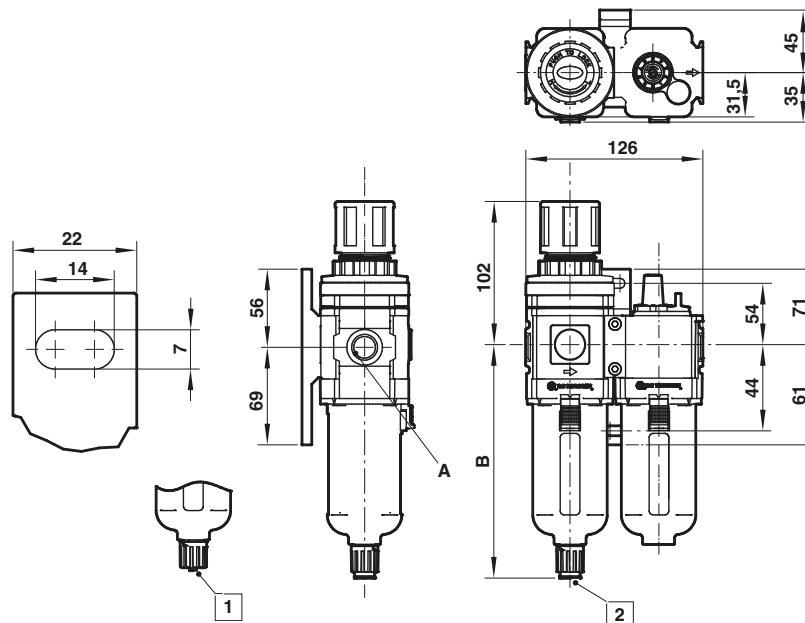


Port size	Page 4	Page 4
G1/8 & G1/4	49B-031	49B-GS01
G3/8 & G1/2	49B-032	49B-GS02

Dimensions
G1/8 & G1/4

 Dimensions in mm
 Projection/Third angle


- 1 Manual drain can insert ID \varnothing 4 PU tube at drain outlet.
- 2 Semi-auto drain can insert OD \varnothing 6 PU tube at drain outlet.

G3/8 & G1/2


- 1 Manual drain or automatic drain can insert ID \varnothing 5,5 PU tube at drain outlet.
- 2 Semi-auto drain can insert OD \varnothing 8 PU tube at drain outlet.

Port size (A)	B	Model
G1/8	113,5	BL49-14BG
G1/8	105,5	BL49-13BG
G1/4	113,5	BL49-24BG
G1/4	105,5	BL49-23BG
G3/8	158	BL49-34BG
G3/8	157	BL49-33BG
G3/8	157	BL49-31BG
G1/2	158	BL49-44BG
G1/2	157	BL49-43BG
G1/2	157	BL49-41BG

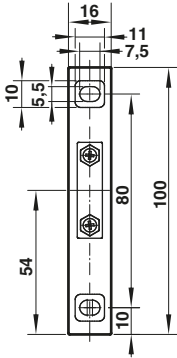
Accessories

Dimensions in mm
Projection/Third angle



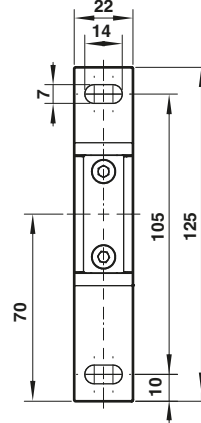
T Bracket

49B-031



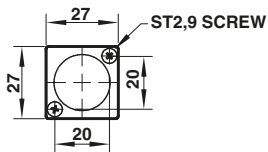
T Bracket

49B-032



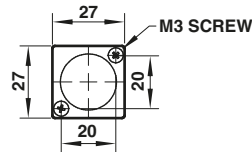
Gauge

49B-GS01



Gauge

49B-GS02



Warning

These products are intended for use in industrial compressed air systems only. Do not use these products where pressures and temperatures can exceed those listed under »**Technical features/data**«.

Before using these products with fluids other than those specified, for non-industrial applications, life-support systems or other applications not within published specifications, consult IMI Precision Engineering, Norgren Co. Ltd.

Through misuse, age, or malfunction, components used in fluid power systems can fail in various modes. The system designer is warned to consider the failure modes of all component parts used in fluid power systems and to provide adequate safeguards to prevent personal injury or damage to equipment in the event of such failure.

System designers must provide a warning to end users in the system instructional manual if protection against a failure mode cannot be adequately provided.

System designers and end users are cautioned to review specific warnings found in instruction sheets packed and shipped with these products.