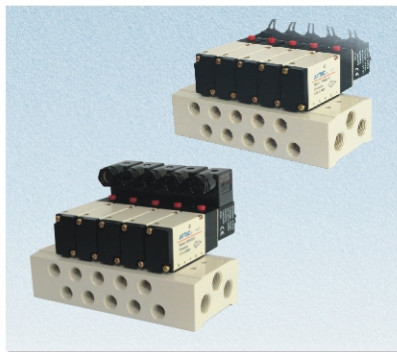


# Solenoid Valves Group

## HD4V Series



### Specification

Item/Type	HD4V110 HD4V120	HD4V130	HD4V210 HD4V220	HD4V230
Fluid	Air (to be filtered by 40 μm filter element)			
Operating	Internally piloted			
Orifice size	12mm <sup>2</sup>	9mm <sup>2</sup>	16 mm <sup>2</sup>	12 mm <sup>2</sup>
Cv	0.67	0.50	0.89	0.67
Lubrication	Not required			
Pressure range	0.15~0.8MPa (21~114psi)			
Proof pressure	1.2MPa (170psi)			
Temperature °C	-5~60			
Voltage range	AC: ±15% DC: ±10%			
Power consumption	100 Series	AC: 2.5VA	DC: 2.5W	
	200 Series	AC: 3.5VA	DC: 3.0W	
Insulation	B Class			
Protection	IP65 (DIN40050)			
Connector	Terminal, Grommet			
Max frequency* cycle/sec	5	3	5	3
Min activation time	0.05 sec			

### Ordering Code

The whole valve group are included solenoid valve, manifold and blanking plate, they should be ordered separately and remark install them before shipping.

\*Note: Max frequency is under no load.

#### 1 Ordering code of Valves

HD - 4V210 - A - I

Valve group      Valve type      Voltage      Electrical entry

HD: Valve group	4V110: 100 Series single solenoid 5/2 way	Blank: Terminal I: Grommet
	4V120: 100 Series double solenoid 5/2 way	
	4V130C: 100 Series double solenoid 5/3 way closed center	
	4V130E: 100 Series double solenoid 5/3 way exhaust center	
	4V130P: 100 Series double solenoid 5/3 way pressure center	
	4V210: 200 Series single solenoid 5/2 way	
	4V220: 200 Series double solenoid 5/2 way	
	4V230C: 200 Series double solenoid 5/3 way closed center	
	4V230E: 200 Series double solenoid 5/3 way exhaust center	
	4V230P: 200 Series double solenoid 5/3 way pressure center	

A: AC220V
B: DC24V
C: AC110V
E: AC24V
F: DC12V

#### 2 Ordering code of manifold

HD - 100M - 5F

Valve group      Manifold series      Number of stations

HD: Valve group	100M: 100 Series manifold	1F: 1 Station
	200M: 200 Series manifold	2F: 2 Stations
		.....
		16F: 16 Stations

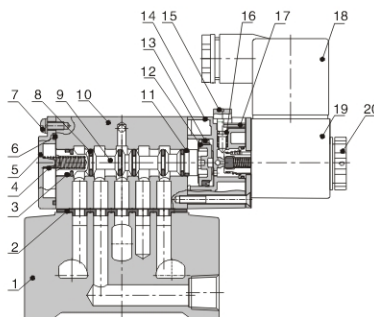
#### 3 Ordering code of Blanking plate

100M - B

Series      Blanking plate

100M: 100 Series	B: Blanking plate
200M: 200 Series	

### Inner Structure



NO.	Item	NO.	Item
1	Manifold	11	Wearing ring
2	Manifold's gasket	12	Piston
3	Wearing ring	13	Piston O-ring
4	Spring	14	Pilot kit
5	Back cover	15	Manual override
6	Bottom cover gasket	16	O-ring
7	Pilot screw	17	Manual override plate
8	O-ring	18	Connector
9	Spool	19	Coil
10	Body	20	Coil nut

### Weight's Table

Type	Solenoid Valve						Manifold		Unit: (g)
	HD4V110	HD4V120	HD4V130	HD4V210	HD4V220	HD4V230	HD100M	HD200M	
Weight	120	175	200	220	320	400	189+82 × n*	325+140 × n	

\*Note: n refers the number of stations.

### Dimensions

The Symbol of 110/210



The Symbol of 120/220



The Symbol of 130/230



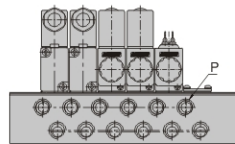
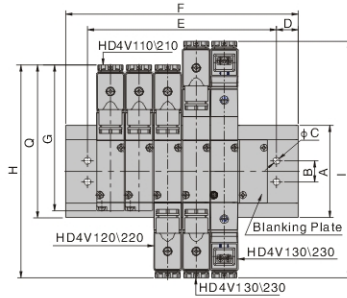
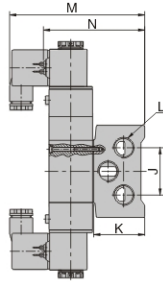
30C



30E



30P



Type/Item	A	B	C	D	E		F					G	H	I	J	K	L	M	N	P	Q	
					1-16F	1-16F	1-16F	17-32F	33-48F	49-64F	65-80F											81-96F
HD4V100	65	14	4.5	15	11+Number of Stations × 19	41+Number of Stations × 19	99.5	142.6	157.6	32	33	PT1/4	89	67	PT1/8	103.8						
HD4V200	74	17	4.5	17.5	14+Number of Stations × 23	49+Number of Stations × 23	117.2	171	190	38	41	PT3/8	108.7	81.5	PT1/4	122.4						